

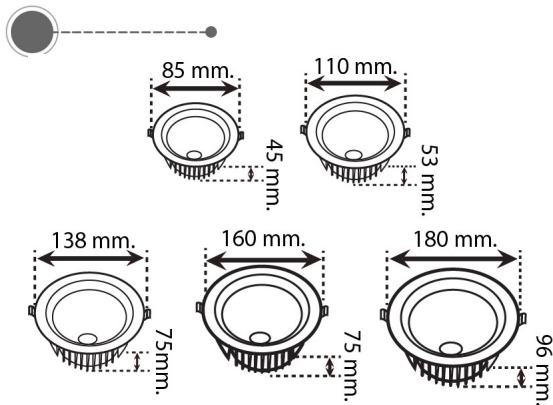
# DOWN LIGHT



## SERIES KDL-ADJ

- ◆ High luminous efficiency, CRI>80 , suitable for project.
- ◆ Round and square for options.
- ◆ Dimensions range form 2" to 6", powers range from 5W-30W
- ◆ Lifespan up to 35,000 hours,

◆ 2" / 3" / 4" / 5" / 6"  
5 W / 9W / 12W / 20W / 30W



Parameter	Value				
Model	KDLA01025W	KDLA01039W	KDLA010412W	KDLA010520W	KDLA010630W
inch	2"	3"	4"	5"	6"
Rate Power	5W	9W	12W	20W	30W
Luminous Flux	425lm	765lm	1,020lm	1,700lm	2,550lm
Luminous Efficiency	85lm/w				
LED Chip	COB				
Color Temperature	CCT 2700K/3000K/5000K				
Color Rendering Index	>80 Ra				
Input Voltage	AC 220-240VAC , 50/60Hz				
Beam Angle	60°				
Work Temperature	-30°C to 50°C				
Work Life	>35,000 Hours				
IP Rating	IP20				
Cover	Clear				
Cutting size (mm)	65	85	110	125	145
Dimensions (mm)	85*45	110*53	138*75	160*75	180*96

**KDL-01 = DIMMABLE**

**KDL-02 = NON-DIM**